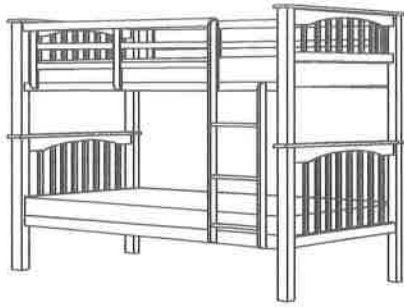
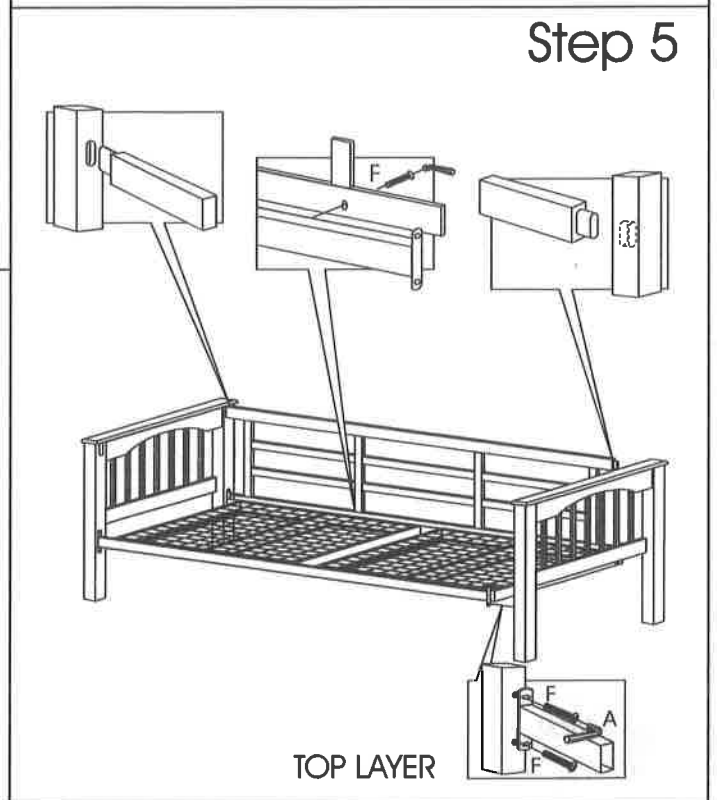
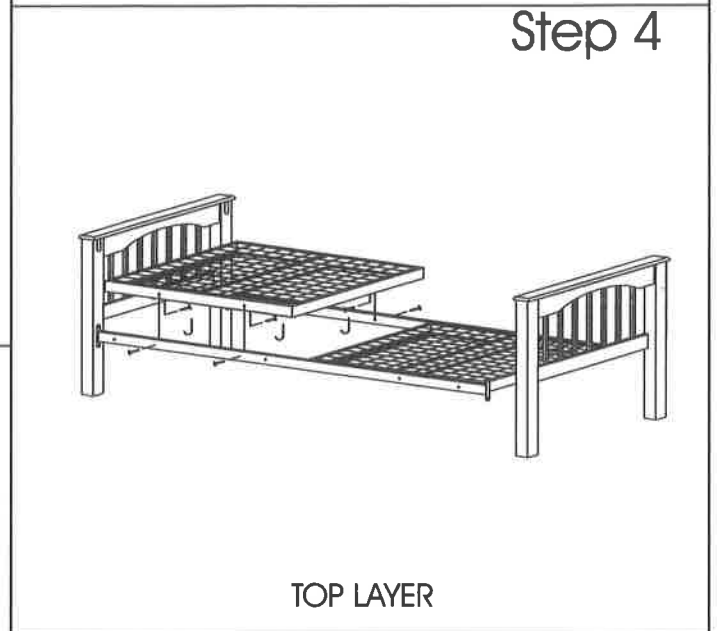
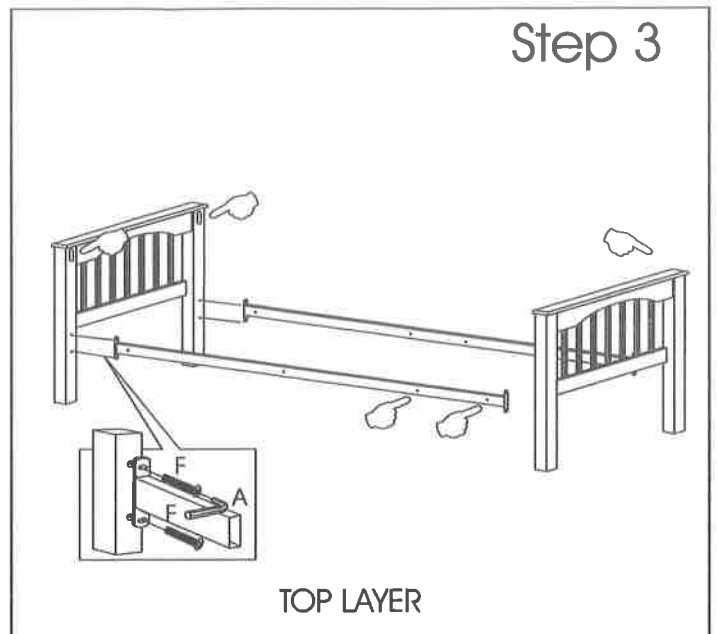
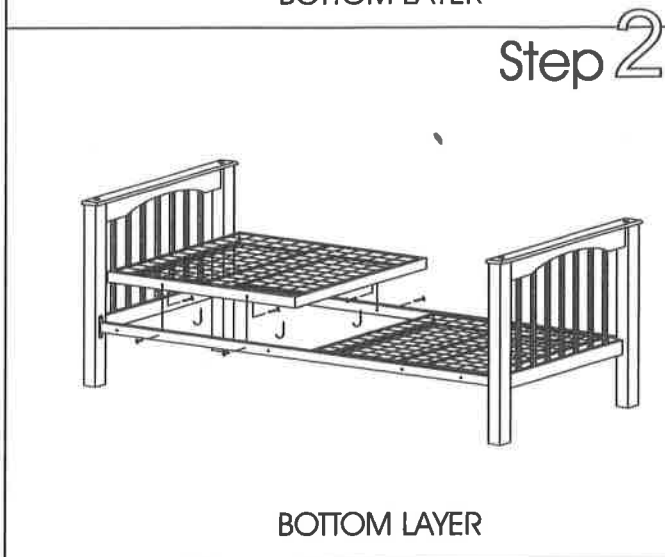
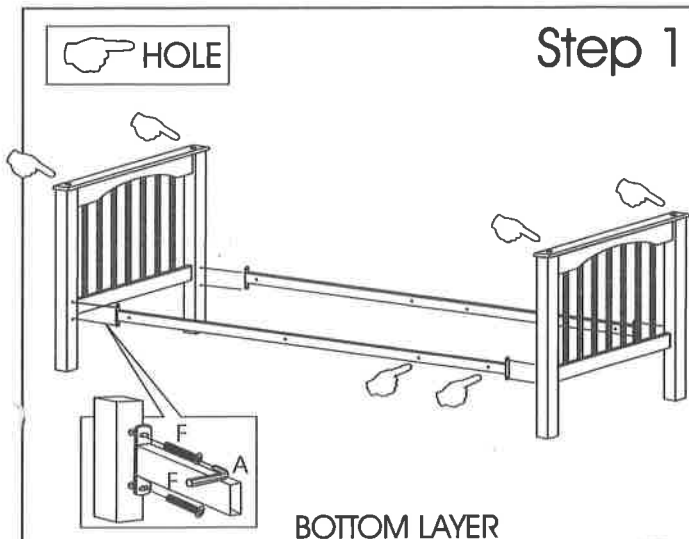


ASSEMBLY INSTRUCTION

MODEL : SDB



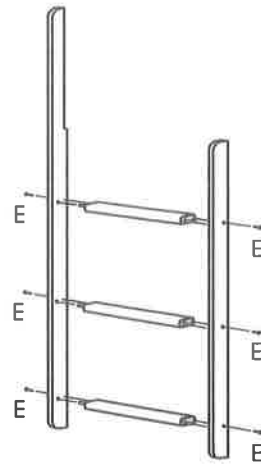
A		M8 ALLEN KEY	1
B		M6 ALLEN KEY	1
C		ALLEN KEY SCREW	4
D		ALLEN KEY SCREW & WASHER	1
E		ALLEN KEY SCREW	6
F		ALLEN KEY SCREW	26
G		WOOD BAR	4
H		ALLEN KEY CAPS	10
I		C.S.K. C/B	8
J		JCN M6 X 14MM	16



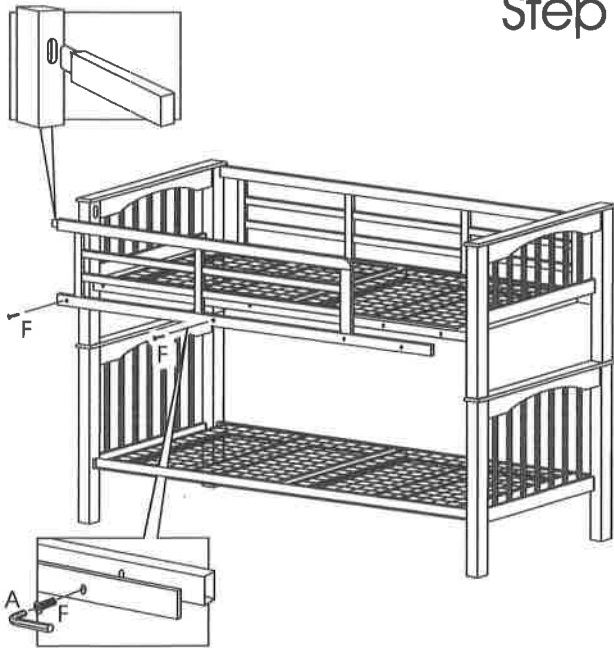
Step 6



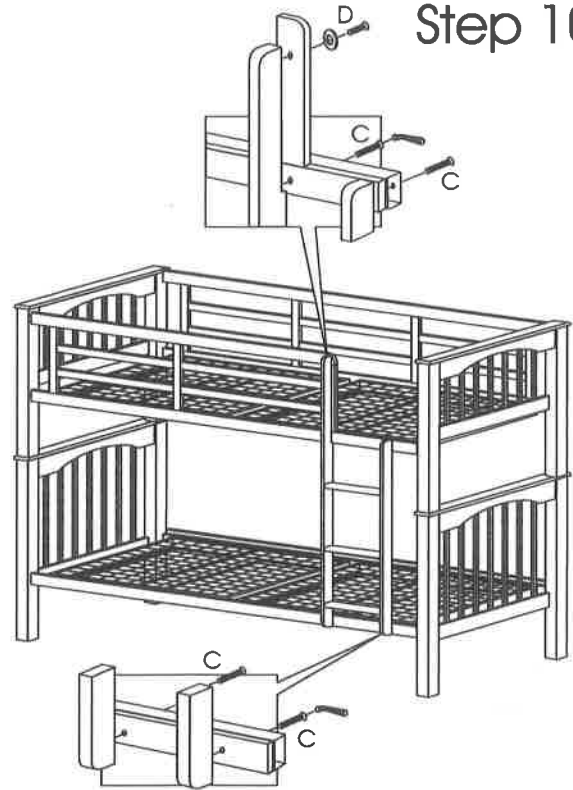
Step 9



Step 7



Step 10



Step 8



Step 11



Assembly Instruction -Model: SDB

Assembly Steps :

1. Connect the bottom two side rails (four hole facing outward) to the bottom layer wood frame by using eight allen key screws (F).
2. Secure the two bottom wire mesh base to the side rails by using eight allen key JCN screws and nut (J) as shown.
3. Connect the top two side rails (four hole facing outward) to the top layer wood frame by using eight allen key screws (F).
4. Secure the two top wire mesh base to the side rails by using eight allen key JCN screws and nut (J) as shown.
5. Attach the rear guard rail to the top layer wood frame with the hole allocated and secure to the wire mesh base using three allen key screws (F) as shown.
6. Use team lift to join the upper bunk to lower bunk with four wood bars (G).
7. Attach the front guard rail to the top wood frame with the hole allocated and secure to the wire mesh base using two allen key screws (F).
8. Attach the wood cross bar with three holes at the back of the lower bunk bed using three allen key screws (F) and attach the wood cross bar with four holes in front of the lower bunk using two allen key screws (F).
9. Assemble the ladder with Six allen key screws (E) as shown.
10. Attach the ladder to the top mesh base by using one allen key screw & washer (D), and two allen key screws (C). Secure the ladder to the bottom mesh base using two allen key screws (C).
11. Secure the top and bottom bunk by using eight C.S.K. C/B screws (I).
Check and securely tighten all screws. Attach the allen key cap as shown.

SAFETY WARNING

1. Follow the information on the warning label attached to the upper bunk end structure. Do not remove this label.
2. Always use the recommended size mattress or mattress support or both, to help prevent the likelihood of entrapment or falls.
3. Surface of mattress must be at least 160mm below the upper edge of guardrails.
4. Do not allow children under 6 years of age to use the upper bunk.
5. Periodically check and ensure that the guardrail, ladder and other components are in their prior position, free from damage and that all connectors are tight.
6. Do not allow horseplay on or under the bed and prohibit jumping on the bed.
7. Always use the ladder for entering and leaving the upper bunk.
8. Do not use substitute parts. Contact manufacturer or dealer for replacement parts.
9. Children can strangle in items such as ropes, strings, cords, harnesses and belts attached to or hung on a bunk bed / high bed.
10. "Warning" children can become trapped between the bed & the wall. To avoid risk of serious injury the distance between the top safety barrier and the wall. Statement that children can strangle in items such as ropes, strings, cords, harnesses and belts attached to or hung on a bunk bed / high bed.
11. Use of a night-light may provide added safety precaution for a child using the upper bunk.
12. Always use guardrails on both sides of the upper bunk.
13. The use of water or sleep flotation mattresses is prohibited.
14. Keep this instruction for future reference.
15. Be aware of the danger of young children (under 6) falling from the upper bunk.
16. That compliance has been met to EN 747 (PART 1)
17. Caution : To avoid danger of chocking the plastic caps fitted on top of the screw heads should not be pried off.

IMPORTANT: mattress height must not be over 4 inches.