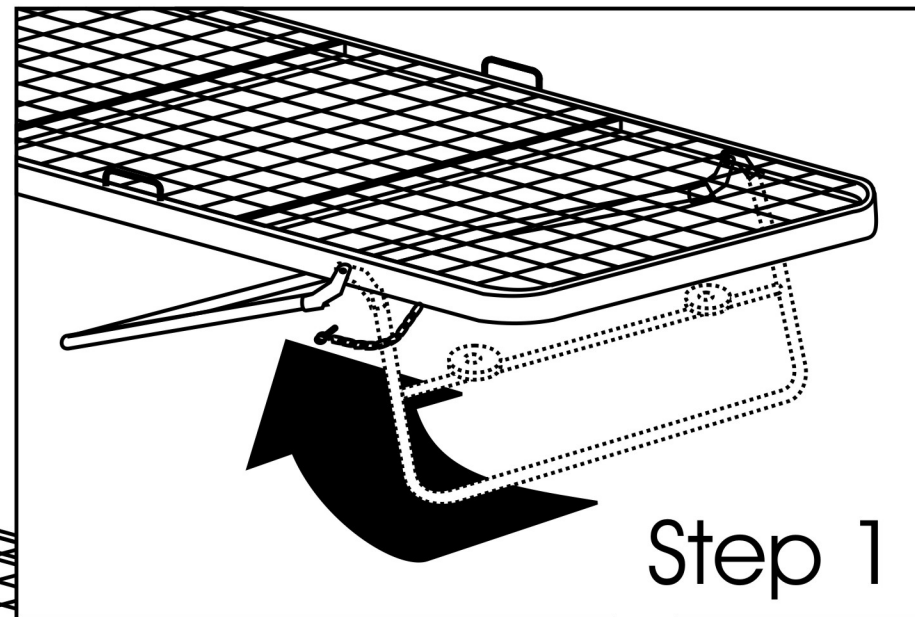
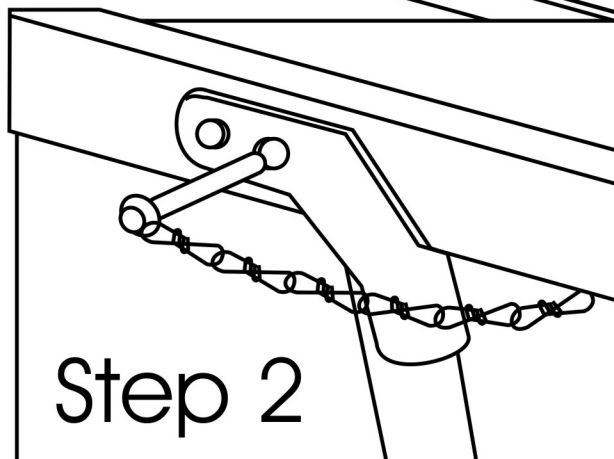
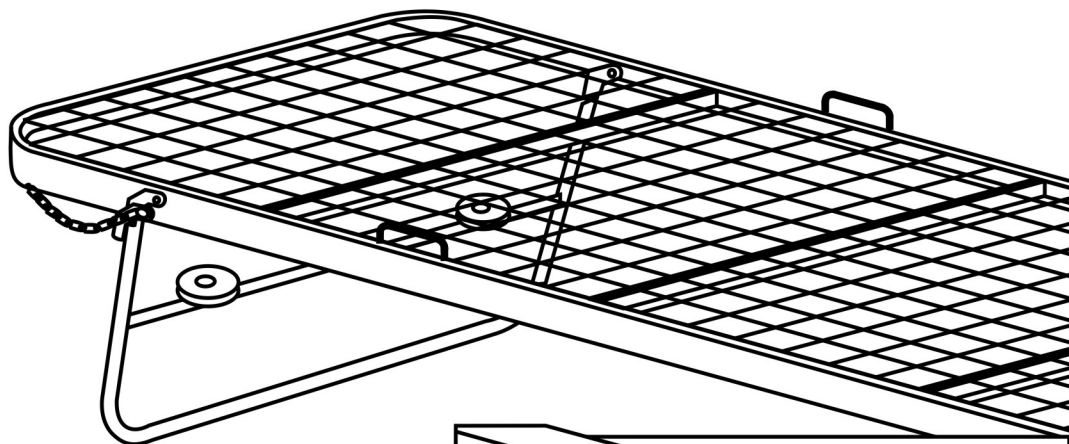


# ASSEMBLY INSTRUCTION

## MODEL : SE 2



Step 1



Step 2

