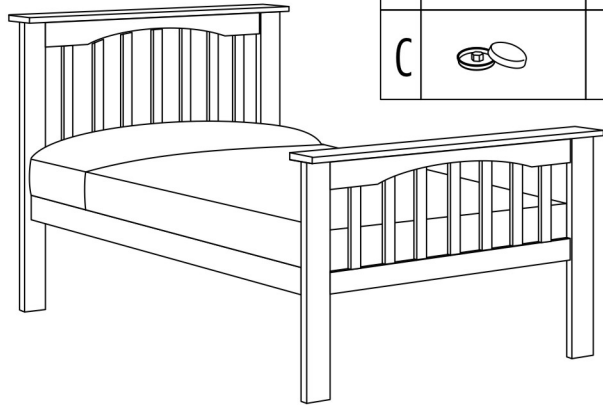

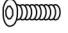



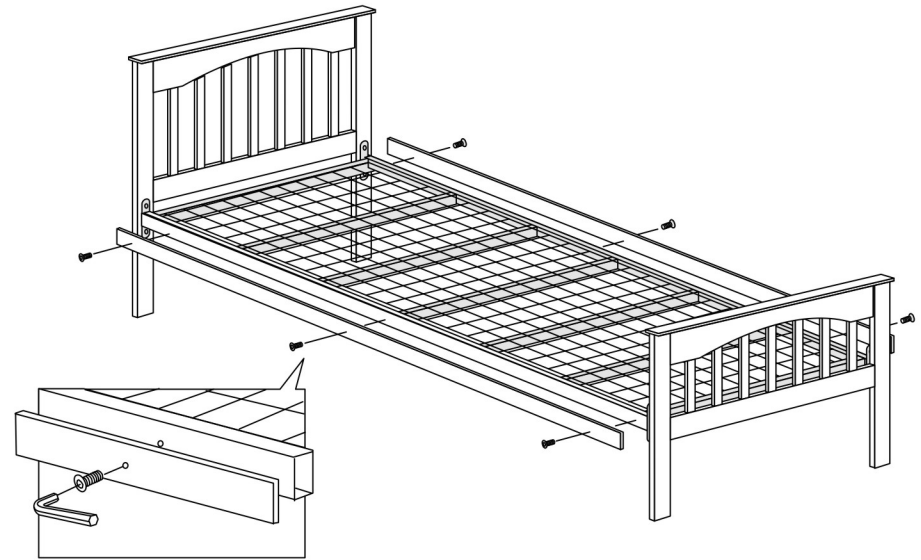
ASSEMBLY INSTRUCTION

MODEL :
SDS

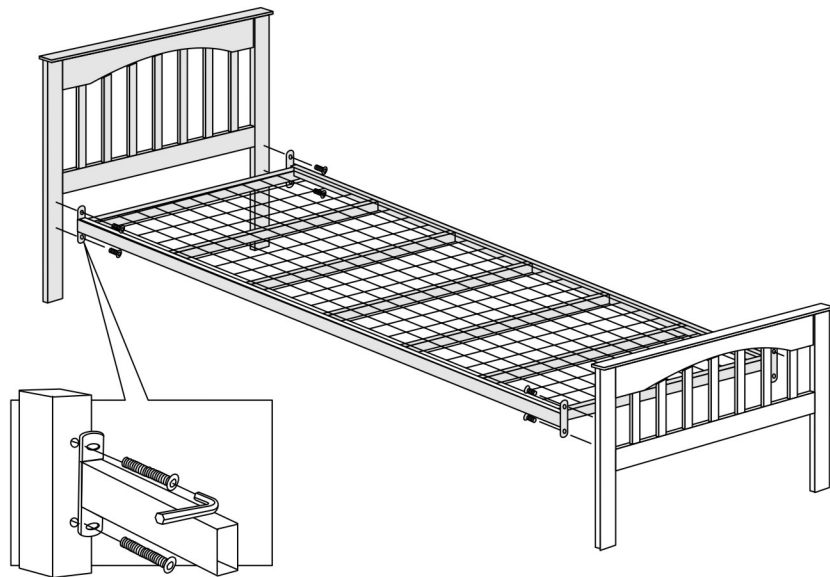


A		ALLEN KEY	1
B		ALLEN KEY SCREW	14
C		PLASTIC END CAP	6

STEP 2



STEP 1



STEP 3

