

ASSEMBLY INSTRUCTIONS

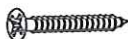
Description : Double Wardrobe 2 Drawers
Code : SADW

1 Bolt (M6x30)



24 PCS

2 Screw (M4x35)



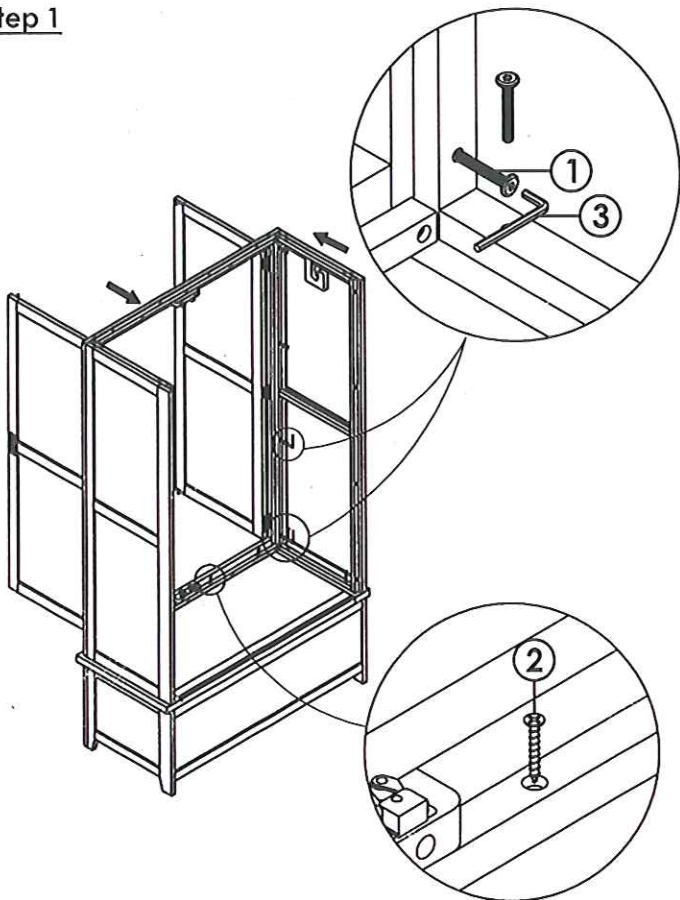
8 PCS

3 Allen key

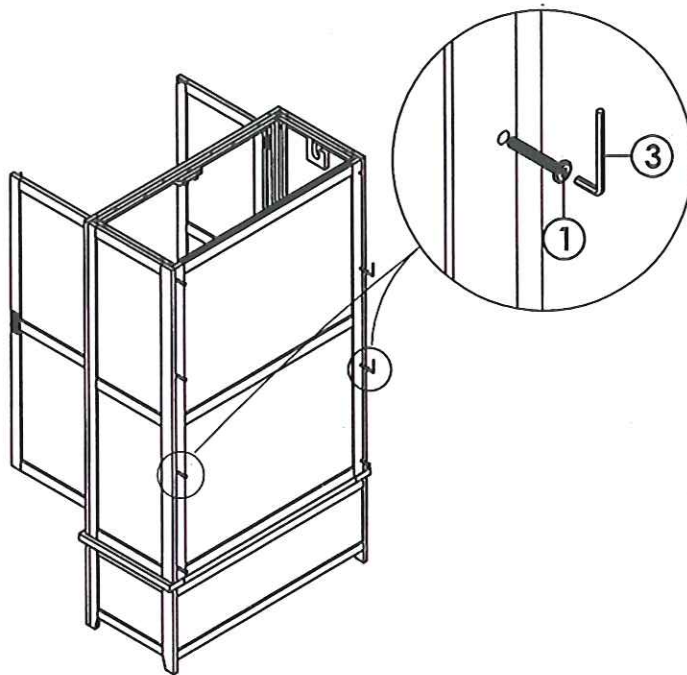


1 PC

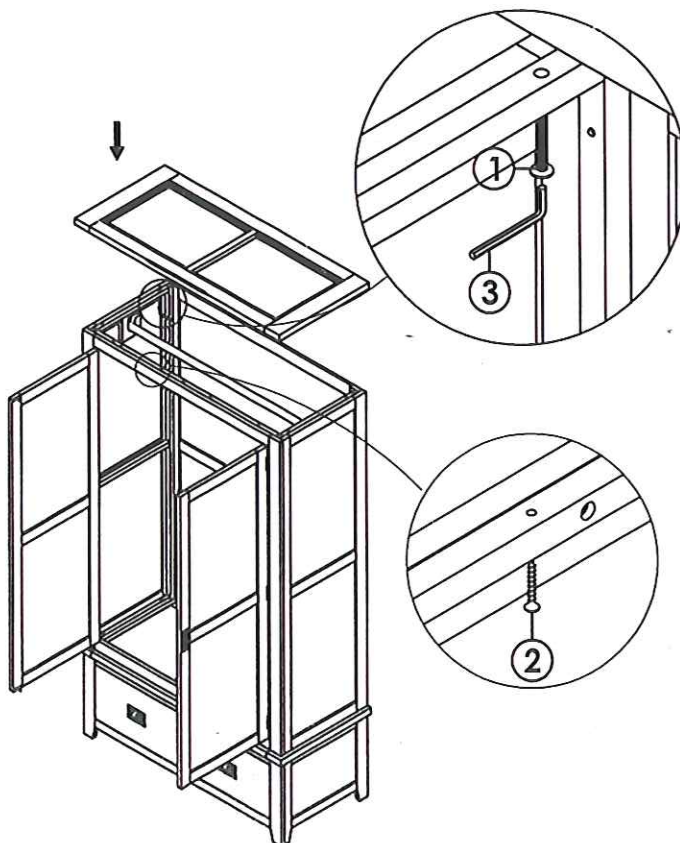
Step 1



Step 2



Step 3



Step 4

