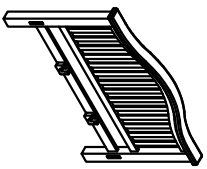
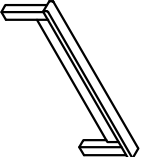
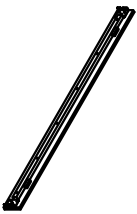


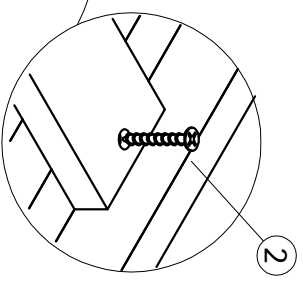
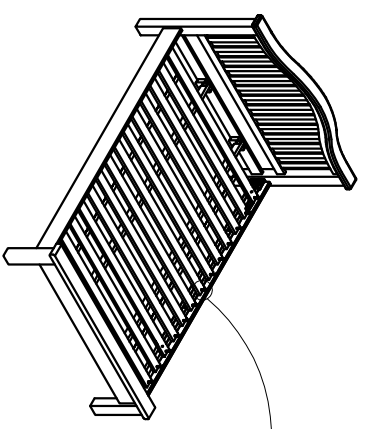
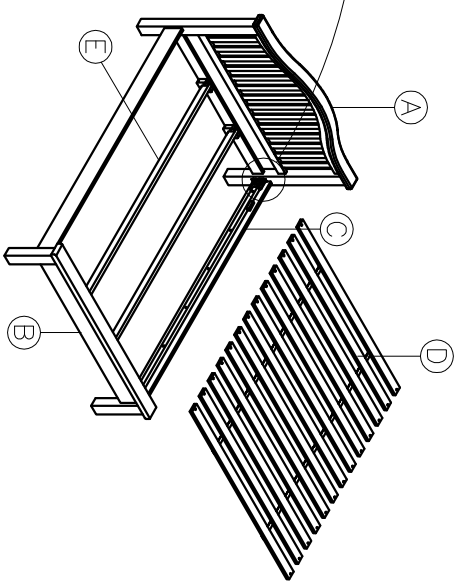
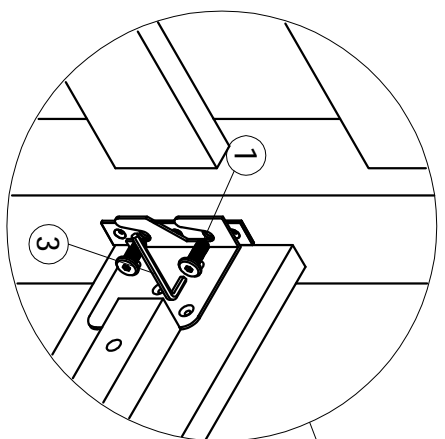


ASSEMBLY INSTRUCTIONS

Description : Minnesota 6ft Curved Top, Low End Bed
 CODE : MINEC6 & MAINCR60

LIST OF PARTS

<p>A Headboard 1 PC</p> 
<p>B Footboard 1 PC</p> 
<p>C Side rails 2 PCS</p> 
<p>D Slats 13 PCS</p> 
<p>E Support center rails 2 PC</p> 



LIST OF HARDWARE

<p>1 Bolt (M8x20) 8 PCS</p> 	<p>2 Screw (M4x30) 26 PCS</p> 	<p>3 Allen key 1 PC</p> 
---	---	---