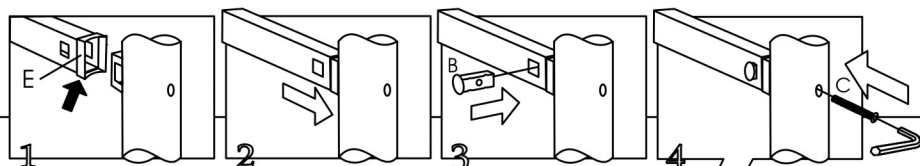


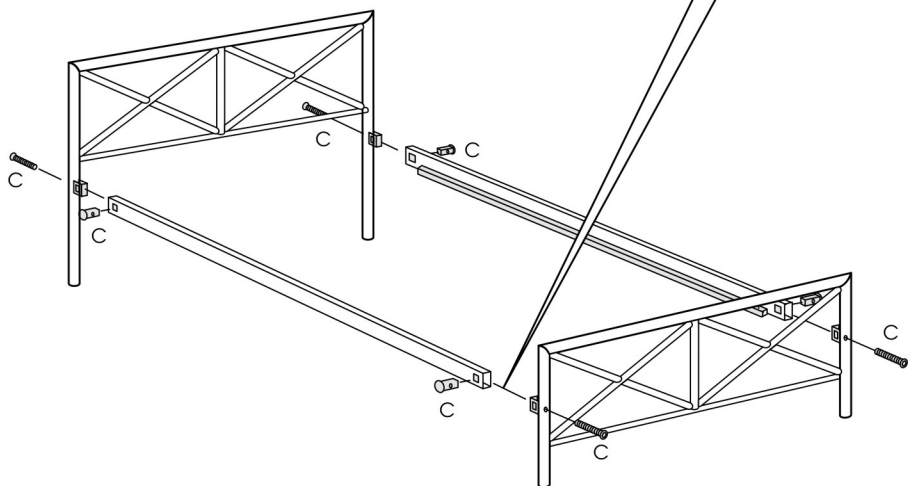
ASSEMBLY INSTRUCTION

MODEL : CDB

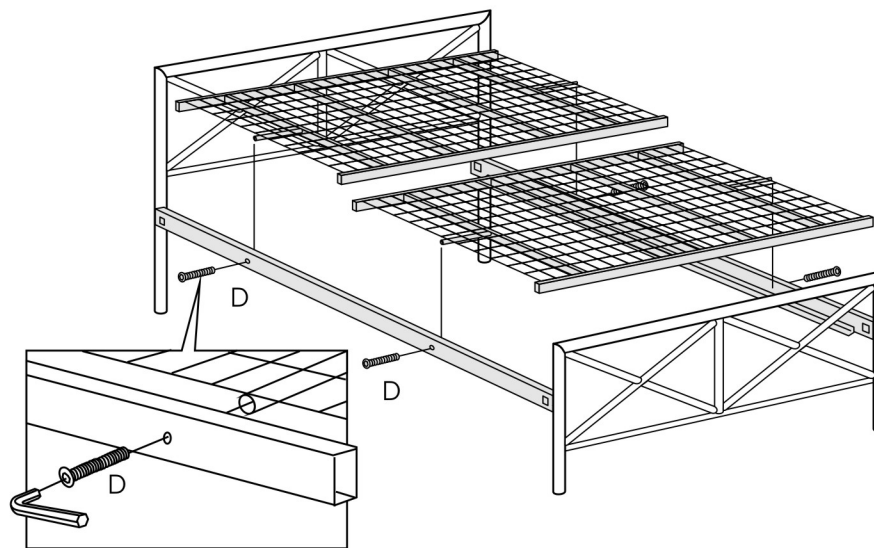
A		ALLEN KEY	1
B		ALLEN KEY	1
C		ALLEN KEY SCREW & NUT	4
D		ALLEN KEY SCREW M6	4
E		RUBBER CAPS	4



STEP 1



STEP 2



STEP 3

